

HOBO U20



Doc #12315-C, MAN-U20  
© 2008 Onset Computer Corporation.  
Patent #: 6,826,664  
Onset, HOBO HOBOWare –  
Onset Computer Corporation. Vi n –  
DuPont.

- U20-001-01 ( 30 ) U20-001-01-Ti ( 30 / )
- U20-001-02 ( 100 )
- U20-001-03 ( 250 )
- U20-001-04 ( 13 ) U20-001-04-Ti ( 13 / )

- (CABLE-1-300 CABLE-1-50)  
(CABLE-1-CRIMP)
- (Coupler2-B)

HOBO U20

HOBO

100

0.6

HOBO

U20

21700

(

),

15

HOBOWare

Pro®

U20

(HOBO U30

HOBOWare Pro

H21-001)

HOBO

U20-001-01 (0-9 )

HOBOWare Pro  
Barometric Compensation Assistant

« »  
HOBOWare Pro USB  
(COUPLER2-B)  
(U-DTW-1)  
(COUPLER2-B).

USB

U20 « »,

HOBOWare.

:	:
	1
	4 ( ):
	8 ,

- 1.
- 2.
- 3.

STATUS

- 4.

HOBOWare.

- Abs. Pressure Temperature ( ).
- Logging Battery Voltage - "STATUS" "LAUNCH" "READOUT".

(COUPLER2-B) USB  
(BASE-U-4)  
HOBO (U-DTW-1).

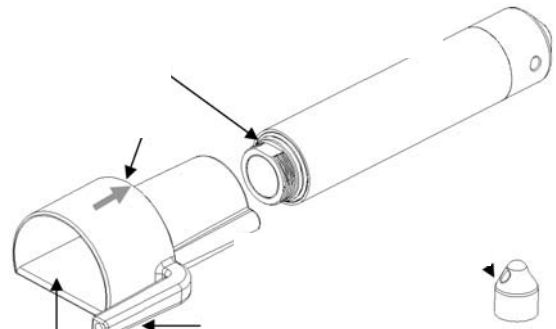
- 1.

USB

- 2.

- 3.

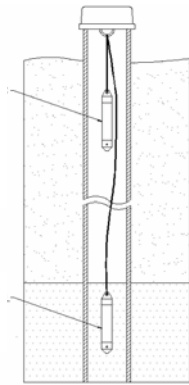
- 4.



! USB

0°C

50°C.



[http://www.onsetcomp.com/water\\_level\\_stilling\\_well.html](http://www.onsetcomp.com/water_level_stilling_well.html)

0° 40°C.

( 30 )

HOBO

1.

a.

b.

( ),

(15 <sup>1/2</sup> U20-

001-01).

2.

3.

Shuttle).

( HOBO U-

4.

5.

(  
).

• 20 « »

• U-4),

• DTW-1)

USB HOBOWare Pro  
(BASE-  
(COUPLER2-B)

HOBO (U-  
(COUPLER2-B)



1.

• 4 (

)

) (

• (

),

2.

3.

4.

5.

6.

7.

( )



6.

**U20**

( )

U20

1.

2.

3.

4.

( )



1.

a.

b.

(  
)

2.

3.

(  
HOBO U-Shuttle).

4.

5.

---

---

**Barometric Compensation Assistant**  
HOBOWare Pro,

HOBO,

U20.

Onset

HOBOWare

EXCEL

---

1. HOBOWare Pro

Weather Service,

National

**Plot Setup .**

2. *Abs. Pressure.*

3. "Barometric Compensation Assistant"

a. **Process**

Barometric Compensation Assistant,

b.

HOBOWare Pro

c. *Use a Reference Water Level*

d.

e. *Use Barometric Data file.*

**Choose.**

Onset.

4.

5. **Create New Series.**

**Plot Setup .**

6. *Water Level*

**Plot,**

---

HOBO, HOBO.

NOAA,

NIST Onset

HOBO

3.6

HOBO

0.3%

35°C

0° 25°C.

0.3 %

3.1 ,  
battery".  
battery"  
3.3 ,

"bad  
"bad

Onset

Onset



100°C.

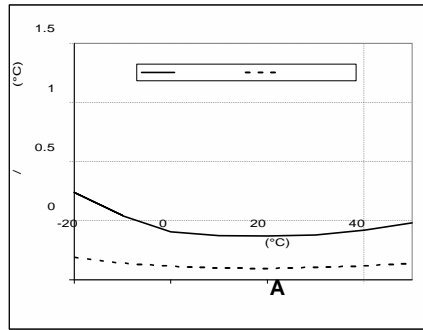
Onset Computer Corporation

\* :  
 \*\* :  
 \*\*\* :  
 5 %

<b>U20-001-01 U20-001-01-Ti</b>	
	0 207 ; 0 9 , 0 12 3,000
	69 207 , 0° 40°C
	310 18
*	- 0.05% , 0.5 - 0.1% , 1.0
**	0.3% , 0.62
	< 0.02 , 0.21
90 %	< 1
(90 %)**	10 ,
<b>U20-001-02</b>	
	0 400 ; 0 30.6 0 33.6 3,000
	69 400 , 0° 40°C
	500 40.8
*	- 0.05% , 1.5 - 0.1% , 3
	0.3% , 1.20
	< 0.04 , 0.41
90 %	< 1
(90 %)**	10 ,
<b>U20-001-03</b>	
	0 850 ; 0 76.5 (0 251 ft), 0 79.5 3,000
	69 850 , 0° 40°C
	1200 112
*	- 0.05% , 3.8 - 0.1% , 7.6
	0.3% , 2.55
	< 0.085 , 0.87
90 %	< 1
(90 %)**	10 ,
<b>U20-001-04 U20-001-04-Ti</b>	
	0 145 ; 0 4 0 7 3,000
	69 145 , 0° 40°C
	310 18
*	- 0.075% , 0.3 - 0.15% , 0.6
	0.3% , 0.43
	< 0.014 (0.002 psi), 0.14
90 %	< 1
(90 %)**	10 ,

	-20° 50°C
	0.37°C 20°C, . A
	0.1°C 20°C (10 ), . A
(90 %)***	3.5 ( )
( )	0.1°C

2



	±1 , 0° 50°C
	2/3 AA, 3.6 , ,
( )	5 1
( )	64 ( 21700 )
	2.46 , 15 ; 6.3
	: 210 : 140
	: 316, Vi n, : , Vi n®, ,
/	.
	8 HOBOWare. , 1 18 . .
	.
	;
	.
CE	CE , .