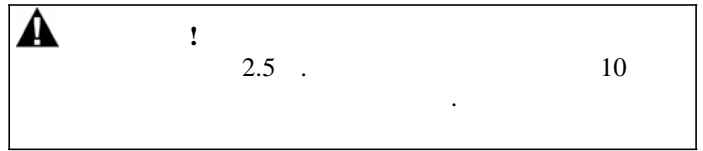




**4-20**  
(CABLE-4-20mA)

20 20

0



(CABLE-2.5-STEREO),

0 2.5

1.

2. 15-

3.

4.

5.

6.

15-

	:
2.5	
« »	

Onset

U12.

[www.onsetcomp.com](http://www.onsetcomp.com)

**2.5**

2.5

2.5

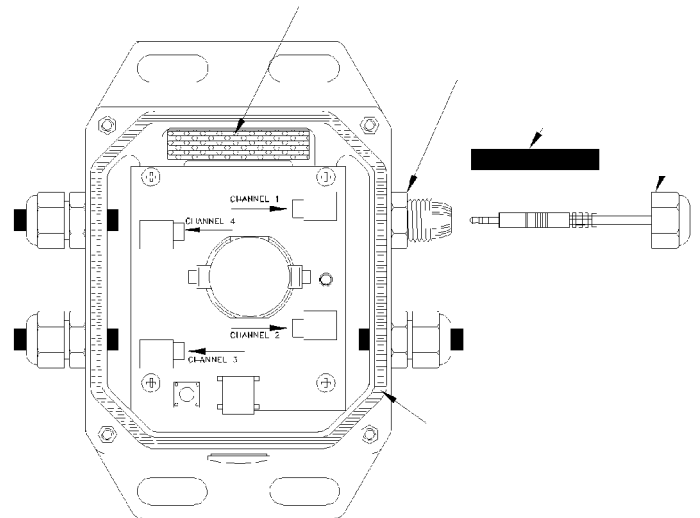
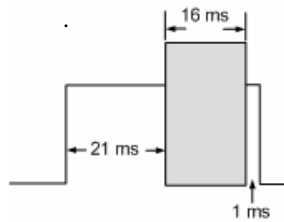
1

4

21

16

1 ms



7. , .(

(DESIC-PACK).

8. , « ».

Start,

(DESIC-PACK).

«U»

USB

0°C

50°C.

1.

2.

USB

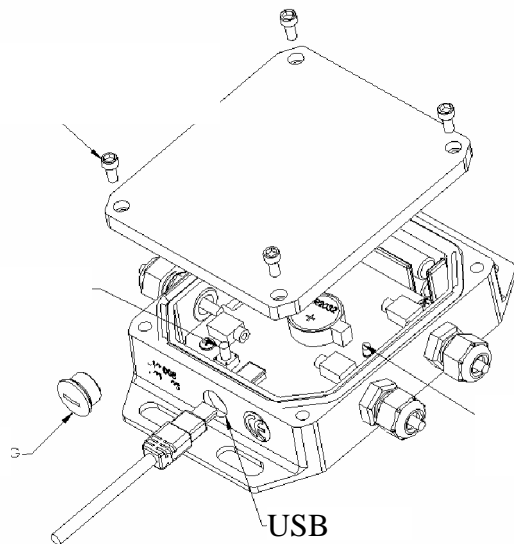
USB

3.

USB

USB

<http://www.onsetcomp.com/support/support.html>.



1.

2.

( 85-SILICONE-1.)

3.

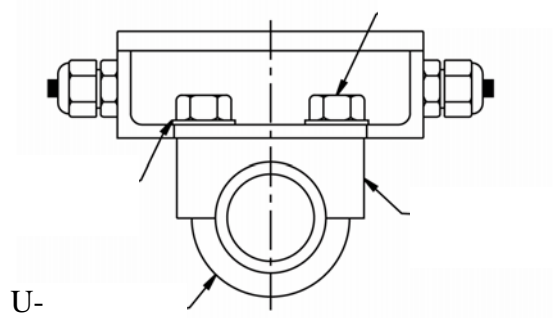
4.

5.

( )  
 43 000 64

:	:
	1 4 ( ) ;
	8

1" (BOLT-KIT) ( U- 1.3").

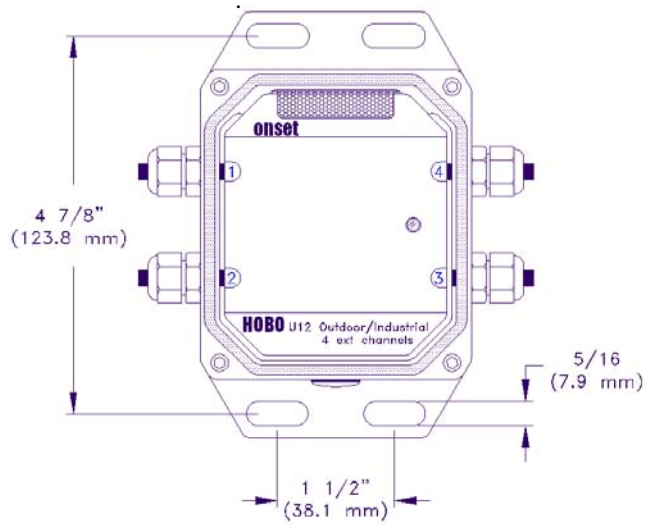


CR-2032.

Onset

0°C (32°F).

- 1.
- 2.
- 3.
- 4.
- 5.



**!** 85°C.