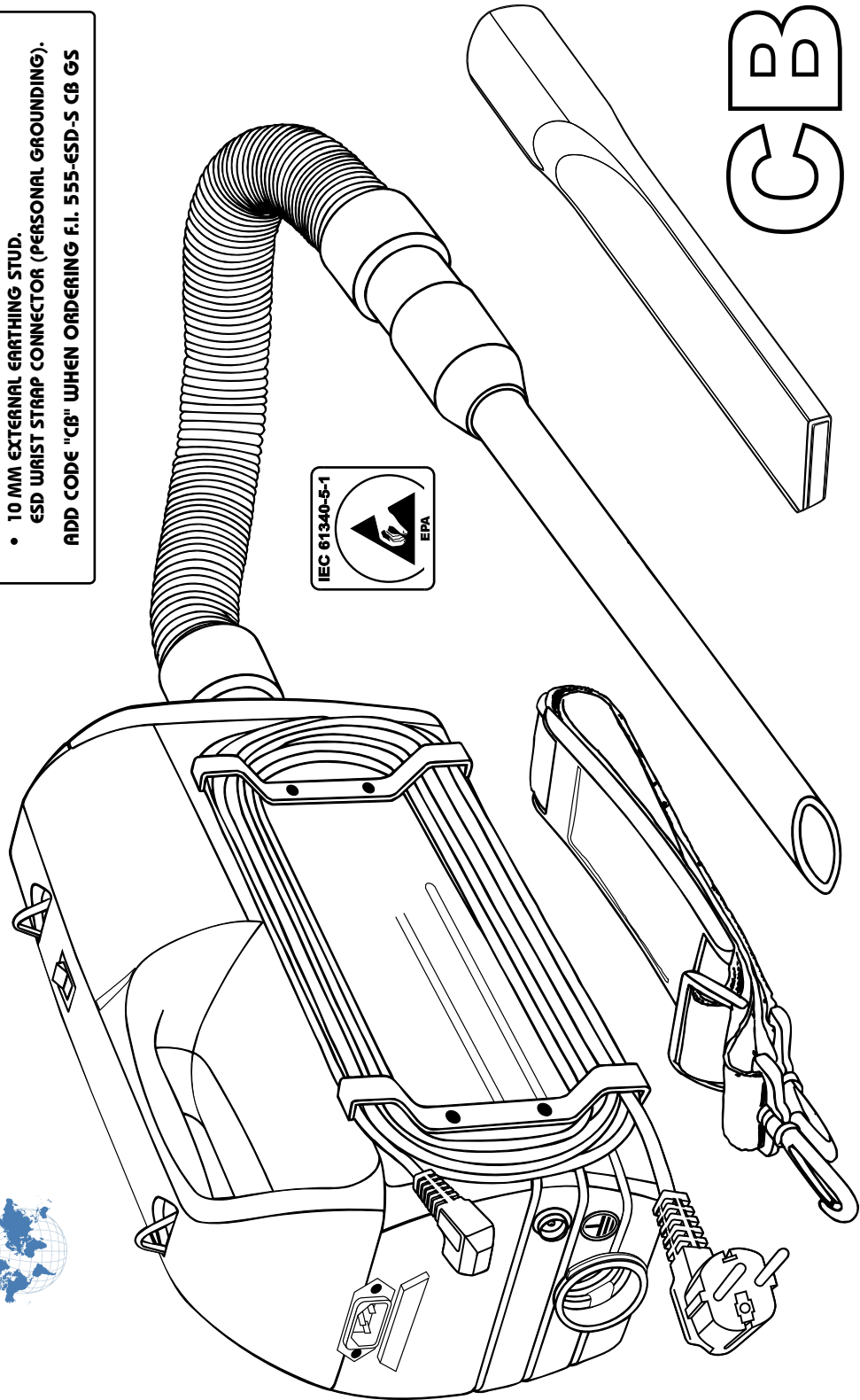
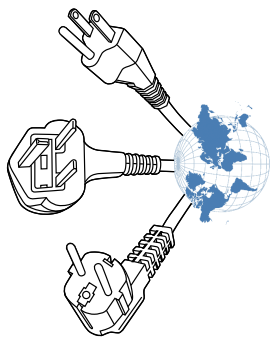


FACTORY FITTED OPTIONAL EPA BLOWVAC FEATURES ;

- **STEEL CABLE BRACKETS.**
ACCOMMODATES DETACHABLE CORDSETS UP TO 5 METRE FOR QUICK CORD HANDLING. NO TANGLED OR MISSING CORDSETS TO ANNOY OR SLOW ONE DOWN !
- **10 MM EXTERNAL EARTHING STUD.**
ESD WRIST STRAP CONNECTOR (PERSONAL GROUNDING).

ADD CODE "CB" WHEN ORDERING F.I. 555-ESD-S CB GS



CB

MUNTZ TECHNICS BV RESERVES THE RIGHT TO CHANGE, ALTER OR MODIFY IT'S APPLIANCES, REPLACEMENT PARTS, ACCESSORIES, OR THEIR PACKAGING, WITHOUT PRIOR NOTICE, EXCEPTING THOSE WITHIN SPECIFIC SUPPLY CONTRACT ARRANGEMENTS.

Manufactured In The Netherlands to European Community Standards No. 73/23/IEC & 93/336/IEC.

Fabrique en Pays-Bas conformement aux normes de la communité Europeenne 73/23/CEE & 93/336/CEE.

Hergestellt in Holland nach normen der EG 73/23/EWG & 93/336/EWG.

Fabricado en Holanda de conformidad con las normas comunitarias Europeas 73/23/CEE y 93/336/CEE.