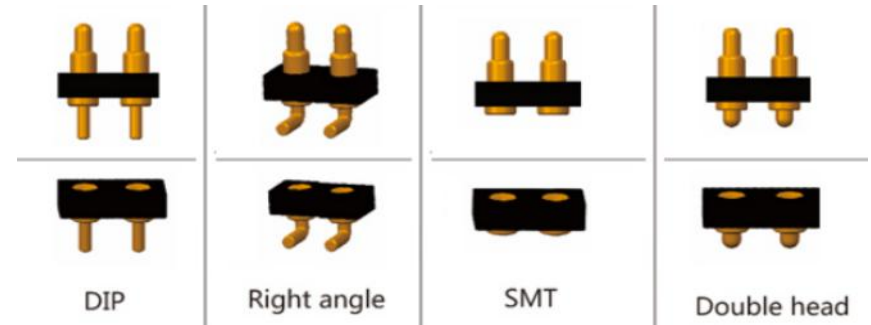


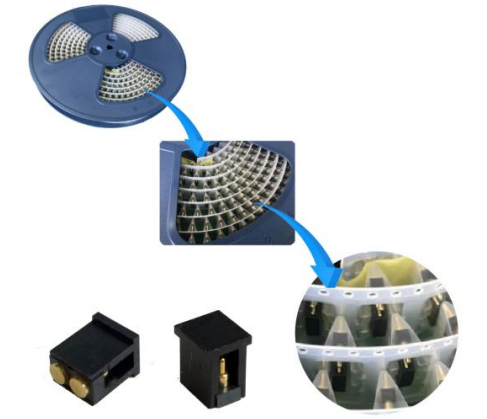
3.2> Pogo Pin Connector



Pogo Pin Connector BOM



Different Style of Pogo Pin Connector



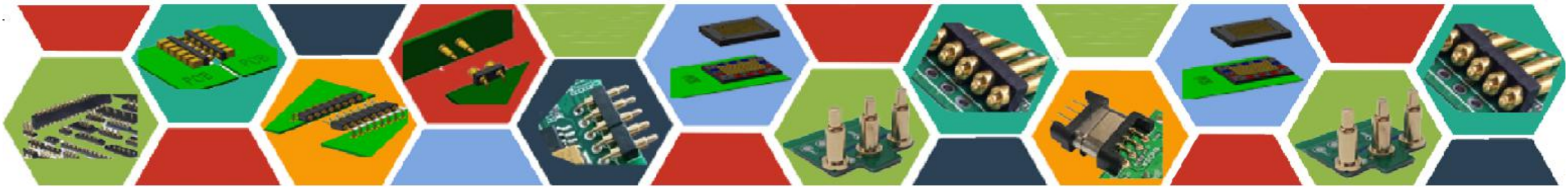
Reel & Tape Package

Pogo Pin Connectors are made up of different styles of pogo pins and plastic housings.

All the pogo pins mentioned above can be assembled with different styles of housing to become different style of finished goods.

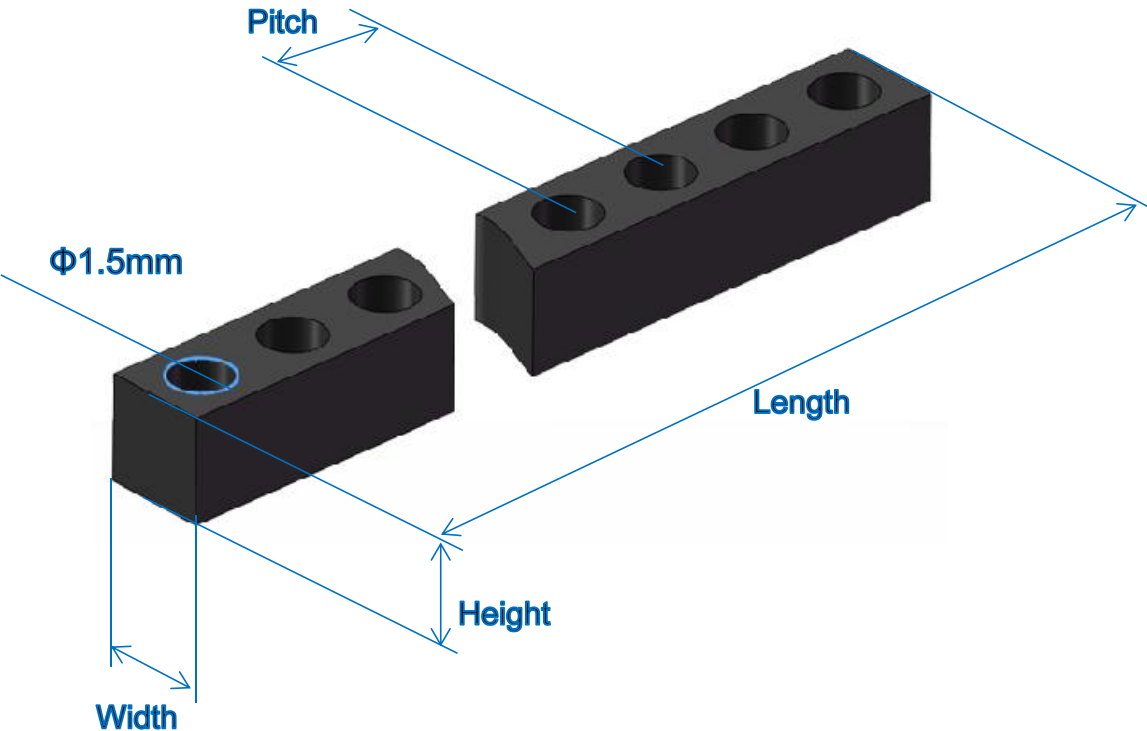
QH offer a lot of standard plastic housing in stock to reduce the mold fee and lead time for our customers. Part of the housings are listed in the coming pages

Applications of different kinds of connectors



3.2> Pogo pin connector - Housing

Standard Housing in stock- Single Row

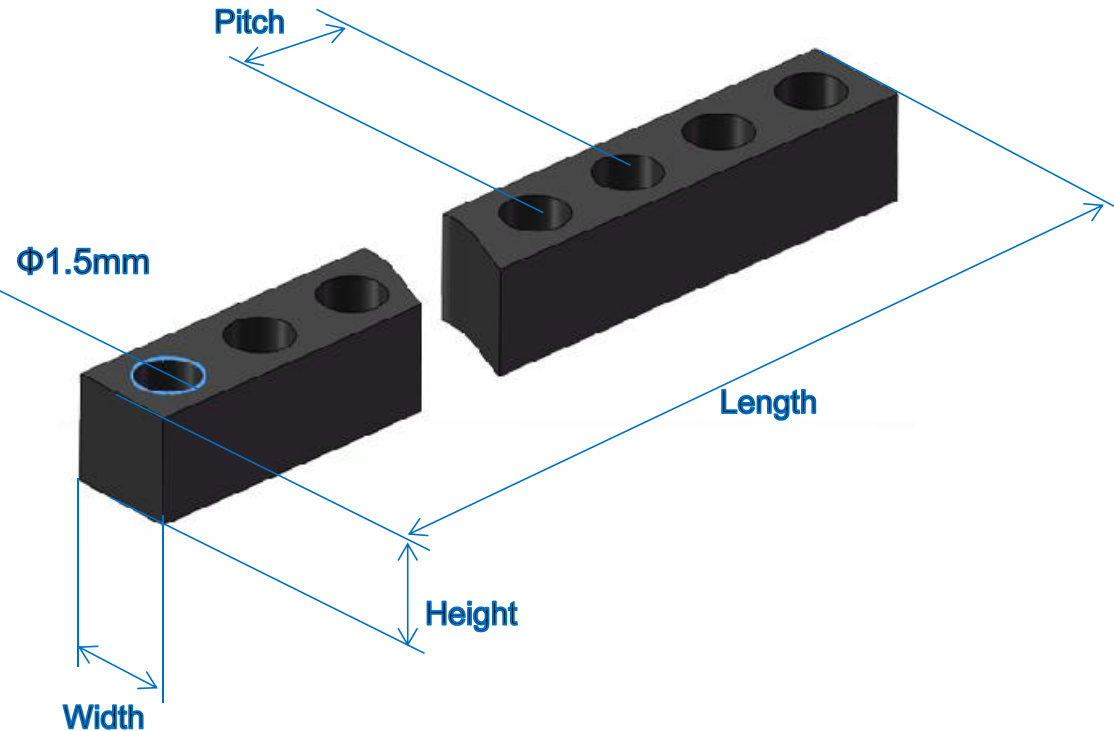


- A> SMT / SMD / DIP/ Right Angle / Rolling Pogo pin connectors are all available for connectors
- B> Pins can be varied from 2pin connectors to 100 pin connectors or even more
- C> Housing: PA46,PA66+30%GF,LCP,PA9T etc

QH Housing Code	Pin Qty	Pitch/mm	Row	Positioning Pillar	Inner Diameter/mm	Drawing
QH-HS01-001-000-3.0H	1	0.0	1	Yes	1.5	
QH-HS02-001-020-1.5H	2	2.0	1	No	1.5	
QH-HS02-002-020-2.0H	2	2.0	1	No	1.5	
QH-HS02-003-020-2.5H	2	2.0	1	No	1.5	
QH-HS02-004-025-1.5H	2	2.5	1	No	1.5	
QH-HS02-005-025-2.5H	2	3.0	1	No	1.5	
QH-HS02-006-030-1.5H	2	3.0	1	No	1.5	
QH-HS02-007-030-2.0H	2	3.0	1	No	1.5	
QH-HS02-008-035-1.5H	2	3.5	1	No	1.5	
QH-HS02-009-035-2.3H-B	2	3.5	1	No	1.5	
QH-HS02-011-035-2.3H-C	2	3.5	1	No	1.5	
QH-HS02-012-040-1.8H-A	2	4.0	1	No	1.5	
QH-HS02-013-040-1.8H-B	2	4.0	1	No	1.5	
QH-HS02-014-040-1.5H	2	4.0	1	No	1.5	
QH-HS02-015-040-4.4H	2	4.0	1	No	1.5	
QH-HS02-016-051-1.5H	2	5.1	1	No	1.5	
QH-HS02-020-040-3.65H	2	4.0	1	No	1.5	
QH-HS02-021-051-2.5H	2	5.1	1	No	1.5	
QH-HS02-022-035-3.0H	2	3.5	1	No	1.5	
QH-HS03-001-025-1.5H	3	2.5	1	No	1.5	
QH-HS03-002-025-1.6H	3	2.5	1	No	1.5	
QH-HS03-002-025-3.25H	3	2.5	1	No	1.5	
QH-HS03-005-030-1.5H	3	3.0	1	No	1.5	
QH-HS03-007-040-1.5H	3	4.0	1	No	1.5	
QH-HS03-008-051-2.2H	3	5.1	1	No	1.5	
QH-HS03-009-025-2.5H	3	2.5	1	No	1.5	

3.2> Pogo pin connector - Housing

Standard Housing in stock- Single Row

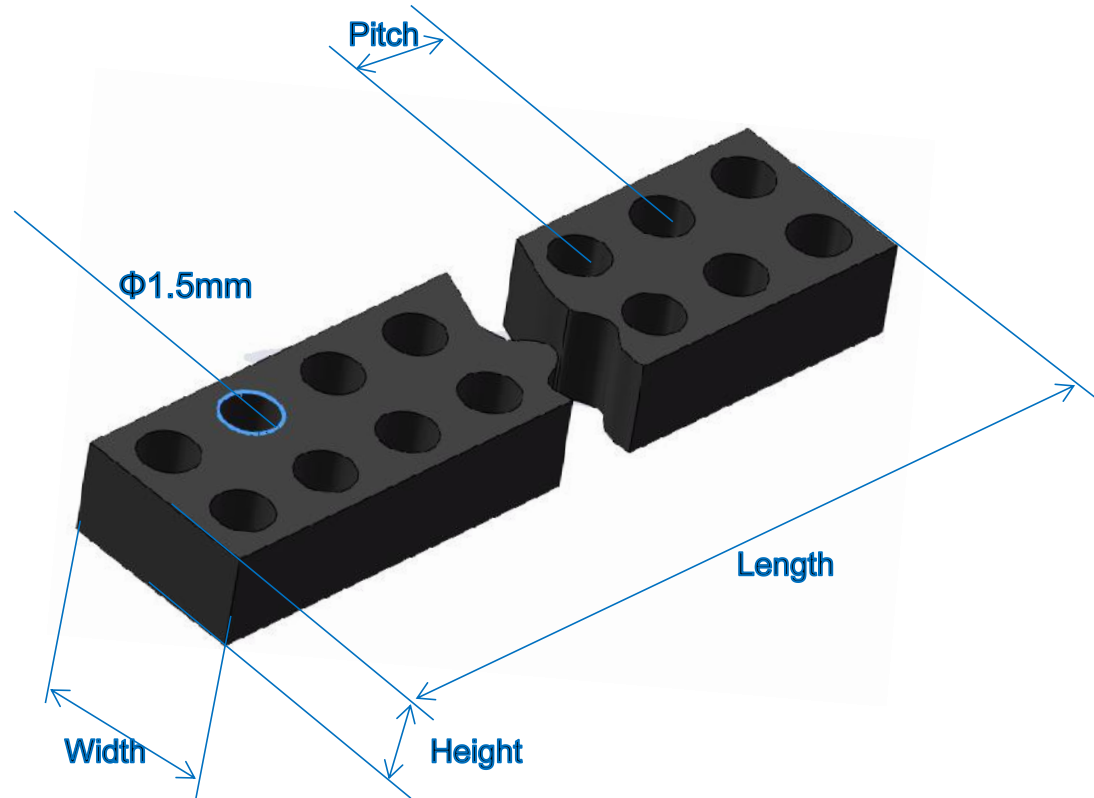


- A> SMT / SMD / DIP/ Right Angle / Rolling Pogo pin connectors are all available for connectors
- B> Pins can be varied from 2pin connectors to 100 pin connectors or even more
- C> Housing: PA46,PA66+30%GF,LCP,PA9T etc

QH Housing Code	Pin Qty	Pitch/mm	Row	Positioning Pillar	Inner Diameter/mm	Drawing
QH-HS03-010-030-2.0H	3	3.0	1	No	1.5	
QH-HS03-010-030-2.5H	3	3.0	1	No	1.5	
QH-HS03-018-035-2.2H	3	3.5	1	No	1.5	
QH-HS04-001-025-2.5H	4	2.5	1	No	1.5	
QH-HS04-002-025-2.0H	4	2.5	1	No	1.5	
QH-HS04-003-025-1.5H	4	2.5	1	No	1.5	
QH-HS04-006-018-1.5H	4	1.8	1	No	1.5	
QH-HS04-008-035-2.5H	4	3.5	1	No	1.5	
QH-HS04-009-025-2.8H	4	2.5	1	No	1.5	
QH-HS04-010-025(2R)-2.0H	4	2.5	1	No	1.5	
QH-HS04-011-030-1.5H	4	3.0	1	No	1.5	
QH-HS04-012-035/040-2.5H	4	3.0	1	No	1.5	
QH-HS05-001-025-2.2H	5	2.5	1	No	1.5	
QH-HS05-004-020-1.5H	5	2.0	1	No	1.5	
QH-HS05-008-025-1.5H	5	2.5	1	No	1.5	
QH-HS05-009-030-1.5H	5	3.0	1	No	1.5	
QH-HS05-011-025-5.1H	5	2.5	1	No	1.5	
QH-HS06-001-025-2.5H	6	2.5	1	No	1.5	
QH-HS06-002-025-4.0H	6	2.5	1	No	1.5	
QH-HS06-003-025-1.7H	6	2.5	1	No	1.5	
QH-HS06-004-025-1.5H	6	2.5	1	No	1.5	
QH-HS06-009-030-1.5H	6	3.0	1	No	1.5	
QH-HS07-001-025-3.2H	7	2.5	1	No	1.5	
QH-HS07-002-025-2.5H	7	2.5	1	No	1.5	
QH-HS08-001-025(2R)-2.5H	8	2.5	1	No	1.5	
QH-HS08-002-025-3.5H	8	2.5	1	No	1.5	
QH-HS08-004-025-2.5H	8	2.5	1	No	1.5	
QH-HS09-001-025-2.5H	9	2.5	1	No	1.5	
QH-HS09-002-025-1.5H	9	2.5	1	No	1.5	
QH-HS12-003-025-2.5H	12	2.5	1	No	1.5	

3.2> Pogo pin connector - Housing

Standard Housing in stock- Double Rows



QH Housing Code	Pin Qty	Pitch/mm	Row	Positioning Pillar	Inner Diameter/mm	Drawing
QH-HS04-004-025(2R)-1.5H-A	4	2.5	2	Yes	1.5	
QH-HS04-005-025(2R)-1.5H-B	4	2.5	2	Yes	1.5	
QH-HS05-002-025 (2R) -2.0H	5	2.5	2	No	1.5	
QH-HS06-005-025 (2R) -1.5H-A	6	2.5	2	No	1.5	
QH-HS06-006-025 (2R) -1.5H-B	6	2.5	2	No	1.5	
QH-HS06-008-025 (2R) -2.5H带槽	6	2.5	2	No	1.5	
QH-HS08-003-025(2R)-1.5H	8	2.5	2	No	1.5	
QH-HS10-001-025(2R)-2.5H	10	2.5	2	No	1.5	
QH-HS10-003-025(2R)-1.5H	10	2.5	2	No	1.5	
QH-HS12-001-025(2R)-2.5H	12	2.5	2	No	1.5	
QH-HS12-002-025(2R)-4.1H	12	2.5	2	No	1.5	
QH-HS12-004-025(2R)-2.0H	12	2.5	2	No	1.5	
QH-HS14-001-025(2R)-2.5H	14	2.5	2	No	1.5	
QH-HS16-001-025(2R)-4.0H	16	2.5	2	No	1.5	
QH-HS16-002-025(2R)-1.5H	16	2.5	2	No	1.5	
QH-HS20-004-025(2R)-2.0H	20	2.5	2	No	1.5	

A> SMT / SMD / DIP/ Right Angle / Rolling Pogo pin connectors are all available for connectors

B> Pins can be varied from 2pin connectors to 100 pin connectors or even more

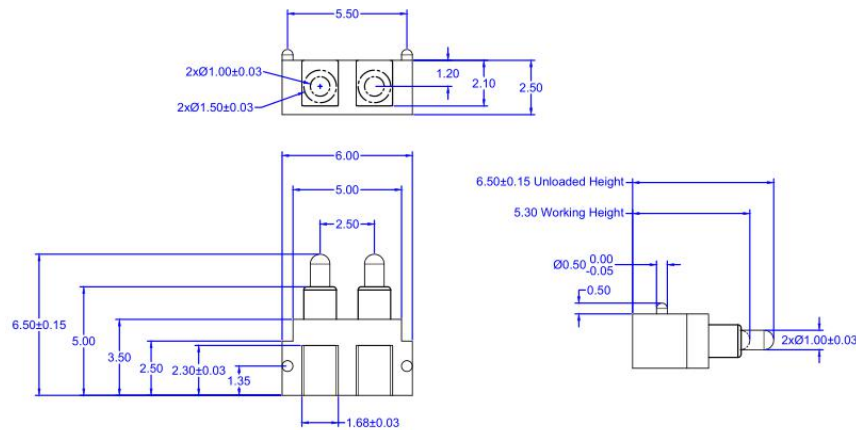
C> Housing: PA46,PA66+30%GF,LCP,PA9T etc

3.2> Pogo pin connector - Housing (Other styles in stock)

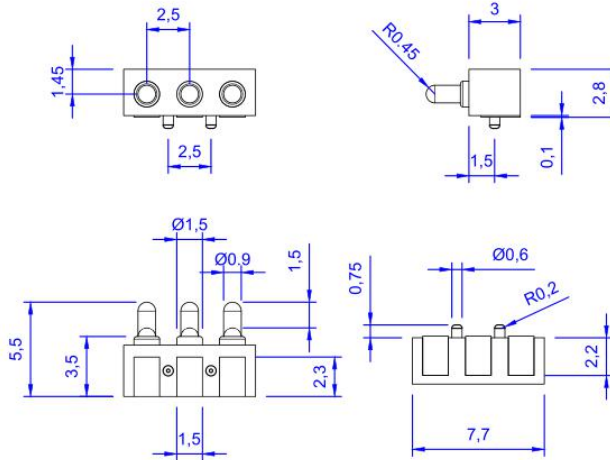
QH Housing Code	Pin Qty	Pitch/mm	Row	Positioning Pillar	Inner Diameter/mm	Drawing
QH-HS02-018-025(RA)-2.5H	2	2.5	1	Yes	1.5	
QH-HS02-019-025(RA)-3.5H	2	2.5	1	Yes	1.5	
QH-HS02-023-037(PH)-2.8H	2	3.7	1	Yes	1.5	
QH-HS02-024-037(RA)-3.5H	2	3.7	1	Yes	1.5	
QH-HS03-003-028(RA)-1.5H	3	2.8	1	No	1.5	
QH-HS03-011-025(RA)-2.7H	3	2.5	1	Yes	1.5	
QH-HS03-011-025(RA)-3.0H	3	2.5	1	Yes	1.5	
QH-HS03-013-025-2.0H 皮套	3	2.5	1	No	1.5	
QH-HS03-014-030-4.4H (RA)	3	3.0	1	Yes	1.5	
QH-HS03-015-020-4.4H (RA)	3	2.0	1	Yes	1.5	

QH Housing Code	Pin Qty	Pitch/mm	Row	Positioning Pillar	Inner Diameter/mm	Drawing
QH-HS03-016-030(RA)-5.0H	3	3.0	1	Yes	1.5	
QH-HS03-017-030(RA)-2.8H	3	3.0	1	Yes	1.5	
QH-HS04-007-025(RA)-4.4H	4	2.5	1	No	1.5	
QH-HS05-003-025-2.5H(皮套)	5	2.5	1	No	1.5	
QH-HS05-005-025-2.2H 带耳朵	5	2.5	1	No	1.5	
QH-HS05-006-025-3.2H 带耳朵	5	2.5	1	No	1.5	
QH-HS05-007-025-3.65H 带耳朵	5	2.5	1	No	1.5	
QH-HS05-010-025 (RA) -2.7H	5	2.5	1	YES	1.5	
QH-HS06-007-025 (2R) -2.5H-带柱	6	2.5	2	YES	1.5	
QH-HS07-002-025 (RA) -7.0H	7	2.5	1	YES	1.5	

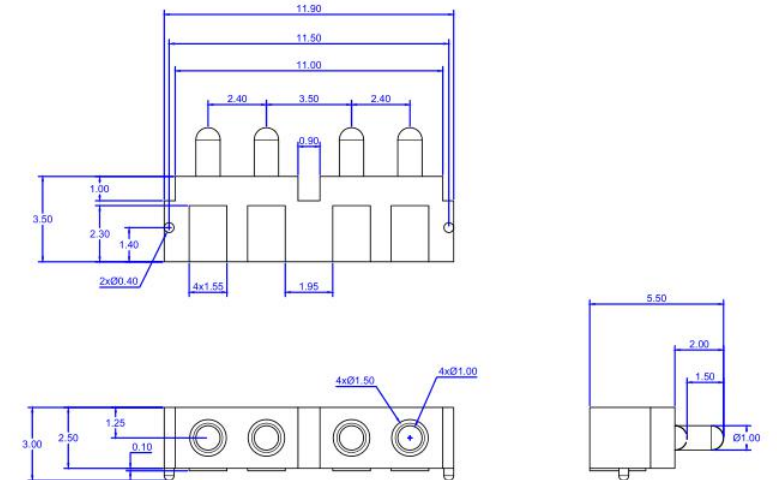
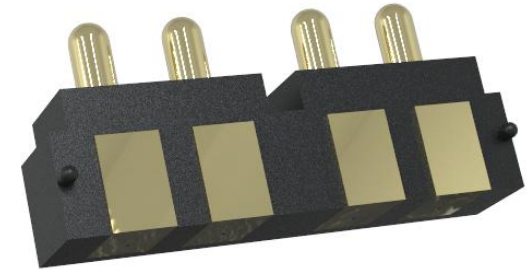
3.2> Pogo pin connector



2PIN SMD CONNECTOR



3PIN SMD CONNECTOR



4PIN SMD CONNECTOR